

# 承 认 书

## APPROVAL SHEET

编 号 No.	
日期 Date	

客 户 Customer	
-----------------	--

品 名 Product	<b>Quick-Acting High Voltage Fuse</b>
系 列 Series	<b>722 series</b>

料号 Part No.	规格描述 Specification	备注 Remark
客 户 Customer		

环保特别提示 Special instructions for environmental protection
本产品:

供应商 Supplier	零件承认章 Approval Signet	客 户 Customer	零件承认章 Approval Signet
制 作 Make			
审 核 Check			
确 认 Approval			

联络 Contact			
业务 Sales	电话 Telephone	手机 Cellphone	邮箱 E-mail

文件承认后敬请回签一份给我司留存，谢谢！

Document Record						
No.	Date	Modified Content	Page	Edition	Prepared/modified by	Checked by
1	2014.07.25	Release Edition		A/0	Kings Luo	Wenhua Yan
2	2018.03.05	Update TUV certification		A/1	J.Q.	Fei Gao
3						
4						
5						
6						
7						
8						
9						
10						
11						
12						

## TABLE OF CONTENTS

<b>1. SCOPE AND DESCRIPTION.....</b>	<b>3</b>
<b>2. GENERAL INFORMATION.....</b>	<b>3</b>
<b>3. AGENCY APPROVALS.....</b>	<b>3</b>
<b>4. PART NUMBERING SYSTEM.....</b>	<b>4</b>
<b>5. MECHANICAL SPECIFICATIONS.....</b>	<b>4</b>
<b>6. ELECTRICAL SPECIFICATIONS.....</b>	<b>5</b>
<b>7. SOLDERING PARAMETERS.....</b>	<b>7</b>
<b>8. ORDERING INFORMATION.....</b>	<b>7</b>
<b>9. PACKING INFORMATION.....</b>	<b>8</b>
<b>10. APPENDIX.....</b>	<b>9</b>

# 722 / OC FUSE

## 1. SCOPE AND DESCRIPTION



Following electronic product specifications apply to fuses of the 722 series. The 722 series is a quick-acting type high voltage fuse for over-current protection.

The 722 fuses can be used with high voltage and is fast acting with a high breaking capacity. It is mainly used in microwave ovens or similar applications.

## 2. GENERAL INFORMATION


### General Description

The 722 series quick-acting high voltage fuse is used for over-current protection mainly in microwave ovens. This device is constructed of a glass tube with electro-plated brass end caps. The 722 series offers excellent quality and protection and is 100% tested for cold resistance and precise length.

### Detailed Features

- High voltage fuse, mainly used for microwave ovens
- Glass tube, nickel plated end caps
- 6.5mm x 40mm physical dimensions
- Protection against harmful over-currents in primary and secondary applications.
- Lead-free, Halogen-free, RoHS compliant
- Designed compliant to IEC-60127-2/IV

## 3. AGENCY APPROVALS

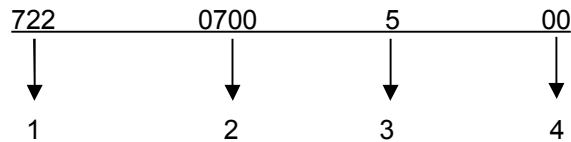
Agency	Agency File Number	Ampere/ Voltage Range
	J50136139	5kV: 600mA; 650mA; 700mA; 750mA; 800mA; 850mA; 900mA

# 722 / OC FUSE

## 4. PART NUMBERING SYSTEM

### 4.1 Part Number

Example: 7220700500



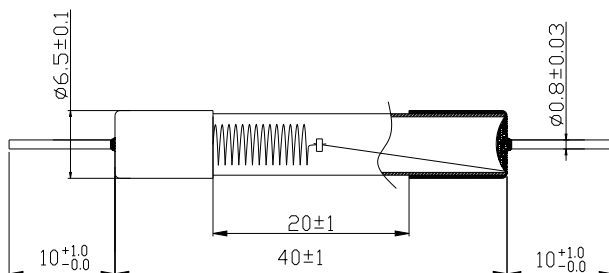
1 .....	Product Series .....	722
2 .....	Ampere Rating/ Code .....	700mA (see table 4.2 below)
3 .....	Voltage Rating .....	5 – 5000V
4 .....	Packaging Code .....	Complement code

### 4.2. Ampere Rating Table

AMP CODE	CURRENT RATING	VOLTAGE RATING
0500	500mA	5KV
0550	550mA	5KV
0600	600mA	5KV
0650	650mA	5KV
0700	700mA	5KV
0750	750mA	5KV
0800	800mA	5KV
0850	850mA	5KV
0900	900mA	5KV
1100	1A	5KV

## 5. MECHANICAL SPECIFICATIONS

Dimensions (units: mm)



### Operating Temperature:

-55°C to 125°C

### Storage Conditions:

+10°C to +60°C  
 Relative humidity:  $\leq 75\%$  yearly average  
 without dew, maximum 30 days at 95%

### Vibration Resistance:

24 cycles at 15 min. each (60068-6)  
 10-60Hz at 0.75mm amplitude  
 60-2000Hz at 10g acceleration

# 722 / OC FUSE

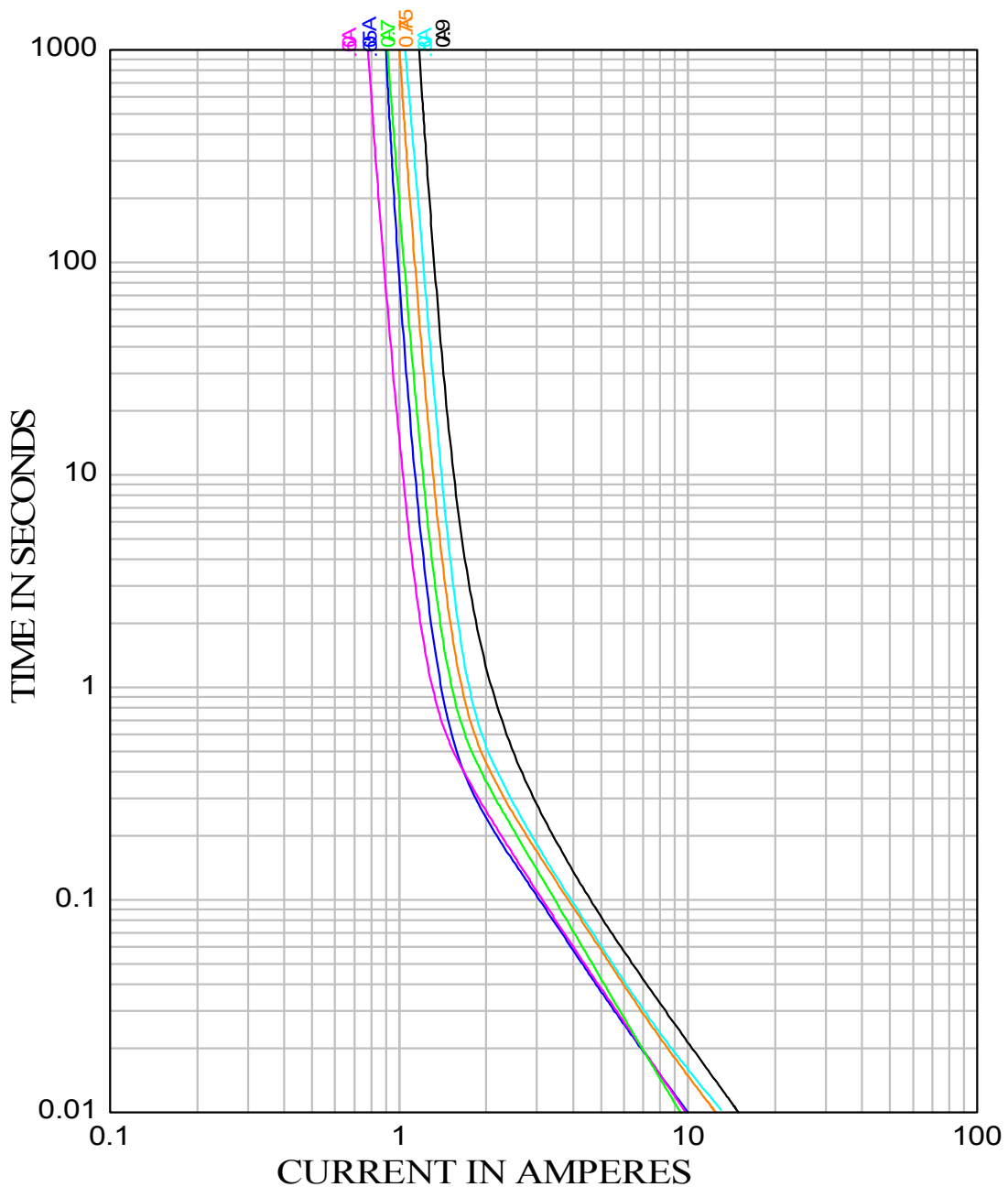
## 6. ELECTRICAL SPECIFICATIONS

### Time vs Current Characteristics Table

(measured with constant current power supply) (according to IEC 60127-2/ IV)

Time vs Current Characteristics: IEC 60127-2/IV						
Rated current	115%	150%	200%	275%	400%	1000%
500mA~1A	>4h	<300s	<20s	20ms~1500ms	8ms~400ms	≤80ms

Average Time Current (I-T Curves)

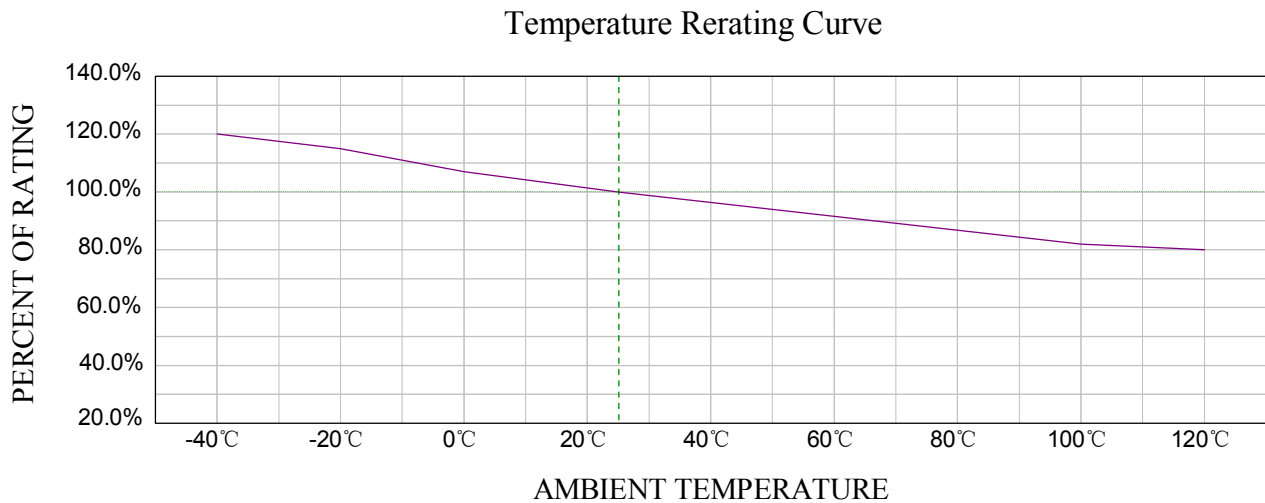


## 722 / OC FUSE

### Electrical characteristics

Electrical Characteristics					
Amp Code	Rated Current	Voltage Rating	Voltage Drop(mV) Max	Nominal Melting I <sup>2</sup> t(A <sup>2</sup> sec)	Approvals TUV
0500	500mA	5KV	1500	0.76	○
0550	550mA	5KV	1500	0.81	○
0600	600mA	5KV	1500	0.96	●
0650	650mA	5KV	1500	1.00	●
0700	700mA	5KV	1500	0.90	●
0750	750mA	5KV	1500	1.56	●
0800	800mA	5KV	1000	1.69	●
0850	850mA	5KV	1000	1.90	●
0900	900mA	5KV	1000	2.22	●
1100	1A	5KV	1000	2.34	○

### Temperature Derating Curve



$$\text{Calculation for ideal fuse selection} = \frac{\text{Operating Current (A)}}{\text{Rating (\%} \times 0.75)}$$

# 722 / OC FUSE

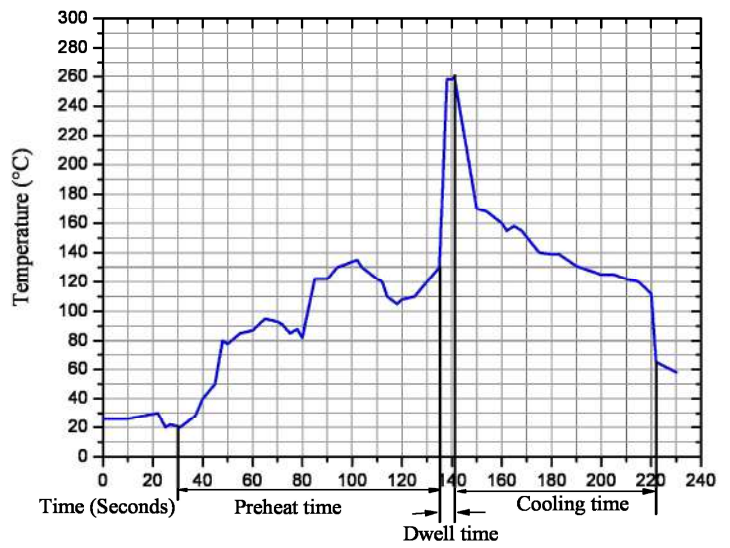
## 7. SOLDERING PARAMETERS

260°C .≤5 sec (Wave Soldering)

350°C .≤3 sec (Hand Soldering)

Soldering Peak:

260°C - 10 sec (IEC 60068-20)



## 8. ORDERING INFORMATION

The following information are necessary in order to place your order with us correctly:

Series No.	Amp Code	Packaging Code	Quantity	Purchase Order No.
722				

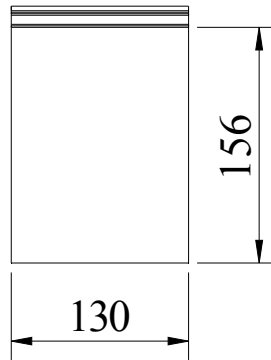
# 722 / OC FUSE

## 9. PACKING INFORMATION

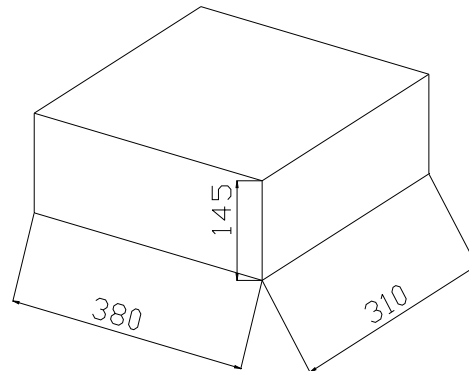
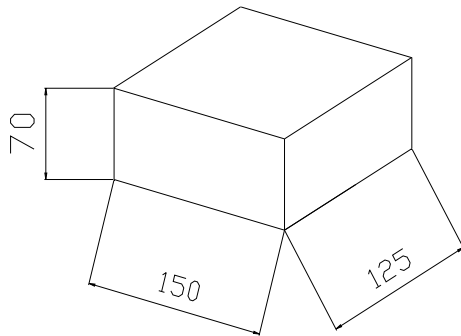
### Packaging details

Dimensions (unit: mm)

Inner Packaging plastic bag



Master Carton



Gross weight 100pcs per bag	250g	Gross weight 300pcs per box	800g	Gross weight 3000pcs per carton	8.7kg
Qty per bag	100pcs	Qty per box	300pcs	Qty per carton	3000pcs